

TY2 3HBF C

TRINITY Tap Range Trinity 2 Three Hole Bath Filler



Specification

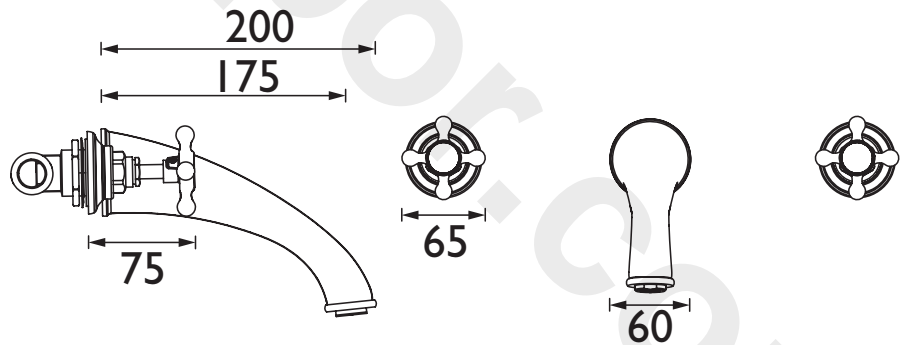
Product Type:	Bathroom Taps
Main Construction Material:	Brass
Mount Type:	Wall Mounted
Handle Type:	Crosshead
Connection Inlet:	G 1/2" Female
Connection Outlet:	M24 Anti-Splash
Number of Tap Holes:	3
Valve/Cartridge Type:	3/4" Compression Valves
Plumbing System Requirements:	Suitable for all plumbing systems
Minimum Dynamic Pressure (bar):	0.2 bar
Maximum Dynamic Pressure (bar):	5.0 bar
Maximum Hot Water Temperature °C:	65°C
Maximum Static Pressure (bar):	10 bar
Flow Type:	Single
Isolation Included:	No

Features:

- Uniquely designed Timeless detailing for traditional bathrooms.
- Hand-finished handles using precision watchmaker techniques.
- Minimum working pressure of 0.2 bar

Product Certifications:

Dimensions (measurements in mm)



For more products, visit our website:
<http://www.bristan.com>



Flow Rates (l/min)

System Pressure (bar)	0.2	0.5	1	2	3	5
TY2 3HBF C (mixed)	17.8	28.2	39.8	56.3	69	89.1

TECHNICAL
DATA
SHEET



BRISTAN

D4